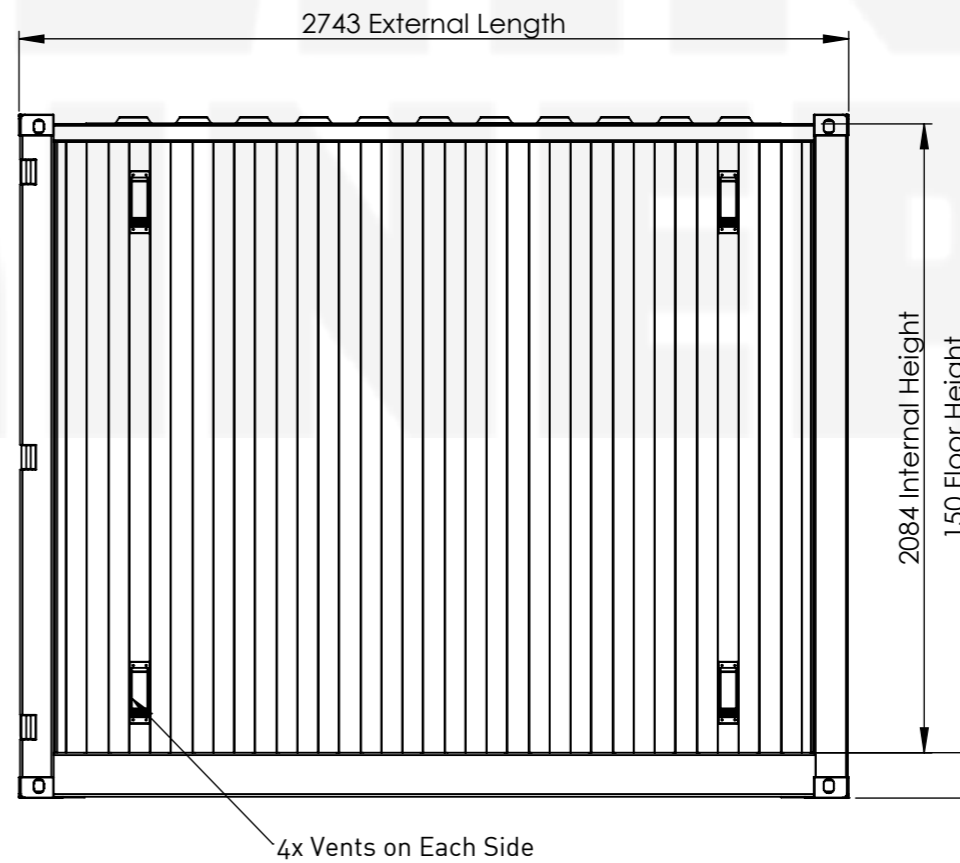
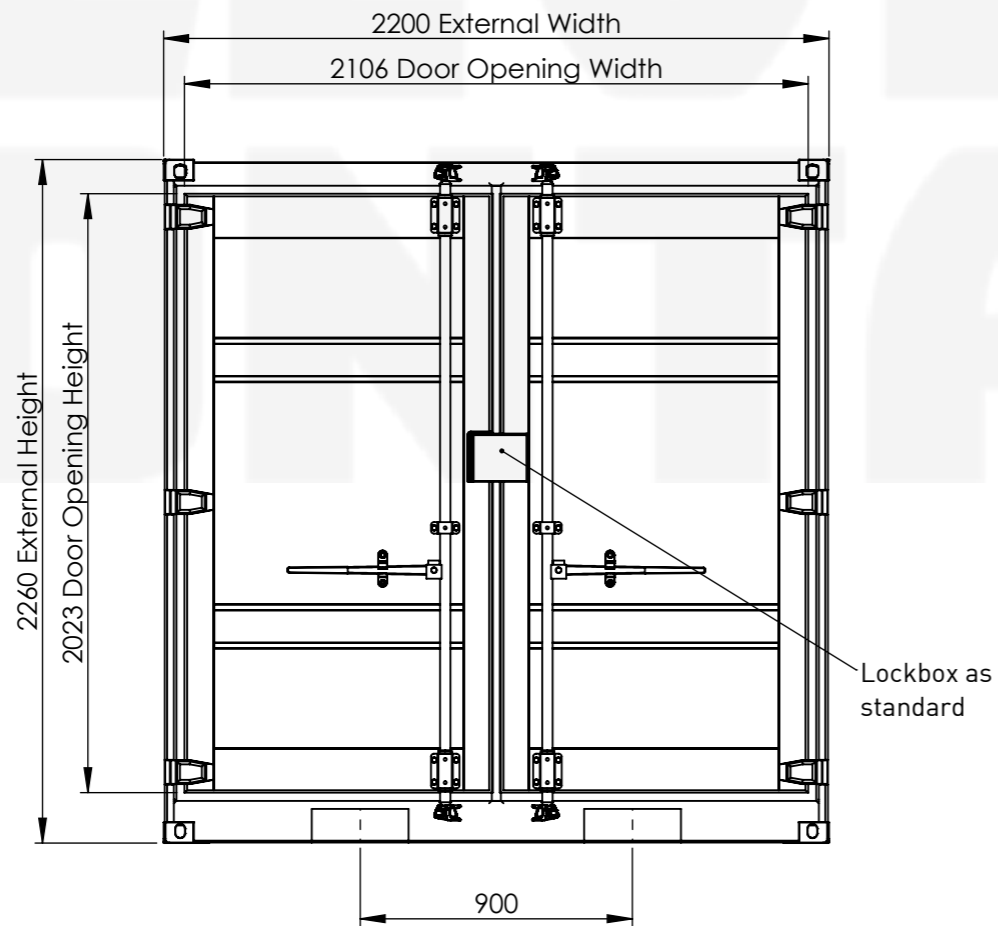
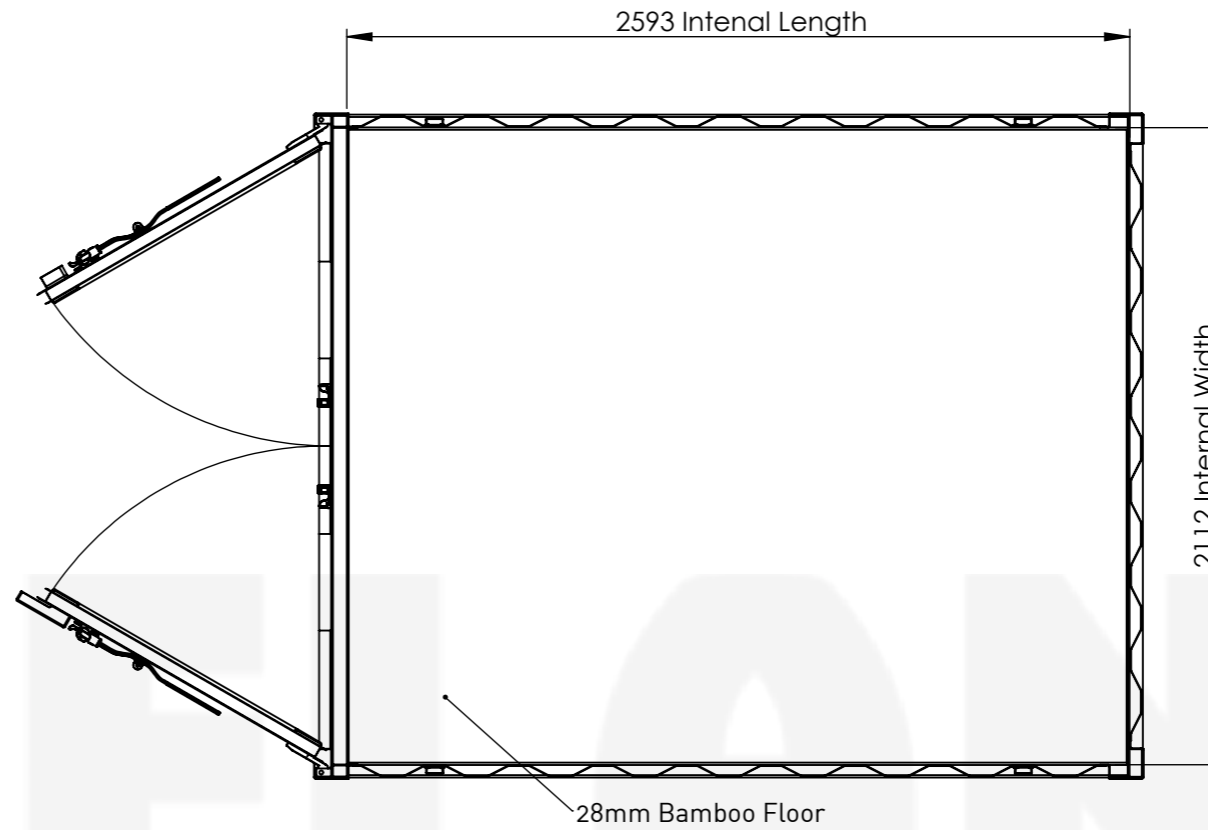


Max. Gross Weight	6,000 KG	13,230 LBS
Tare Weight	1,020 KG	2,250 LBS
Max. Payload	4,980 KG	10,980 LBS
Cubic Capacity	11.4 m <sup>3</sup>	402.3 ft <sup>3</sup>
Floor Area	5.5 m <sup>2</sup>	59 ft <sup>2</sup>



**CLEVELAND  
CONTAINERS.**

	NAME	SIGNATURE	DATE
DRAWN	JM		10/01/2019
APPV'D			

© 2019 Cleveland Containers

Preliminary Drawing for Information Only

REVISION: DO NOT SCALE DRAWING

PROJECT: Cleveland Containers  
Standard Containers

DESCRIPTION:  
9' Miniset Container

A3

SCALE: 1:25 (UNLESS STATED OTHERWISE)

SHEET 1 OF 1