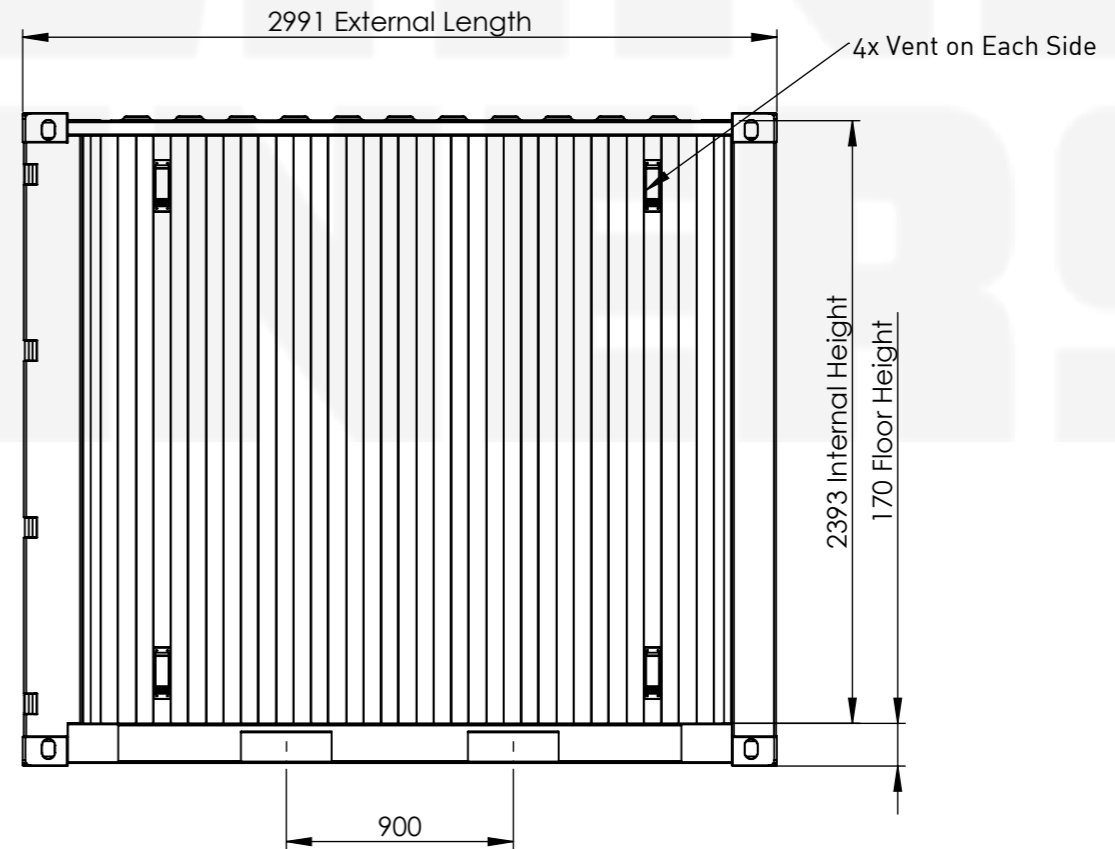
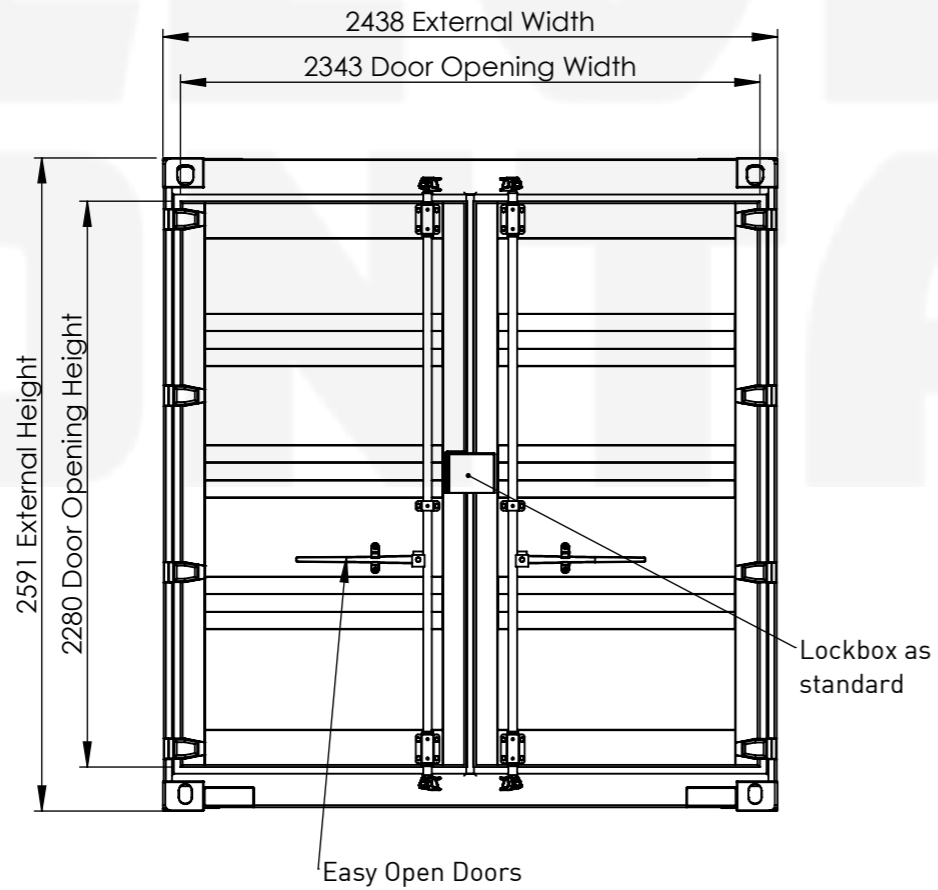
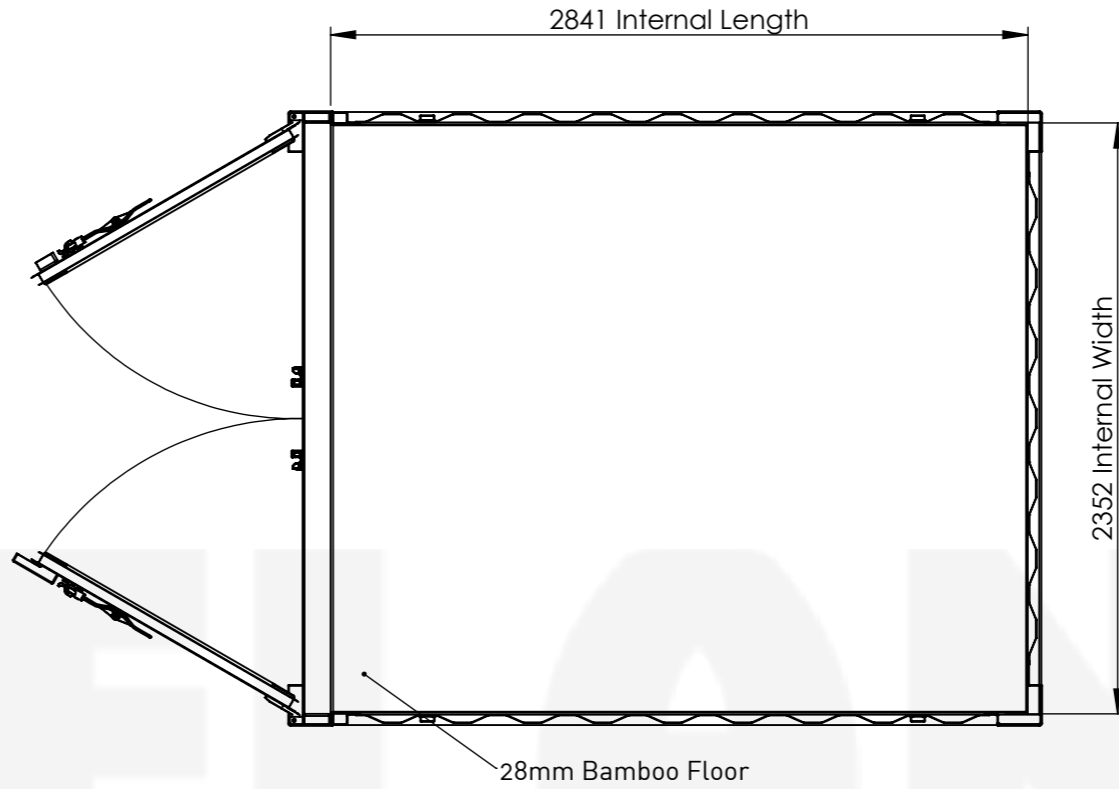


Max. Gross Weight	11,250 KG	24,800 LBS
Tare Weight	1,250 KG	2,755 LBS
Max. Payload	10,000 KG	22,045 LBS
Cubic Capacity	16.0 m ³	564 ft ³
Floor Area	6.7 m ²	72 ft ²



Preliminary Drawing for Information Only

REVISION:		DO NOT SCALE DRAWING
PROJECT: Cleveland Containers Standard Containers		
DESCRIPTION:		A3
10' Miniset Container		

	NAME	SIGNATURE	DATE
DRAWN	JM		10/01/2019
APPV'D			

© 2019 Cleveland Containers SCALE: 1:30 (UNLESS STATED OTHERWISE) SHEET 1 OF 1