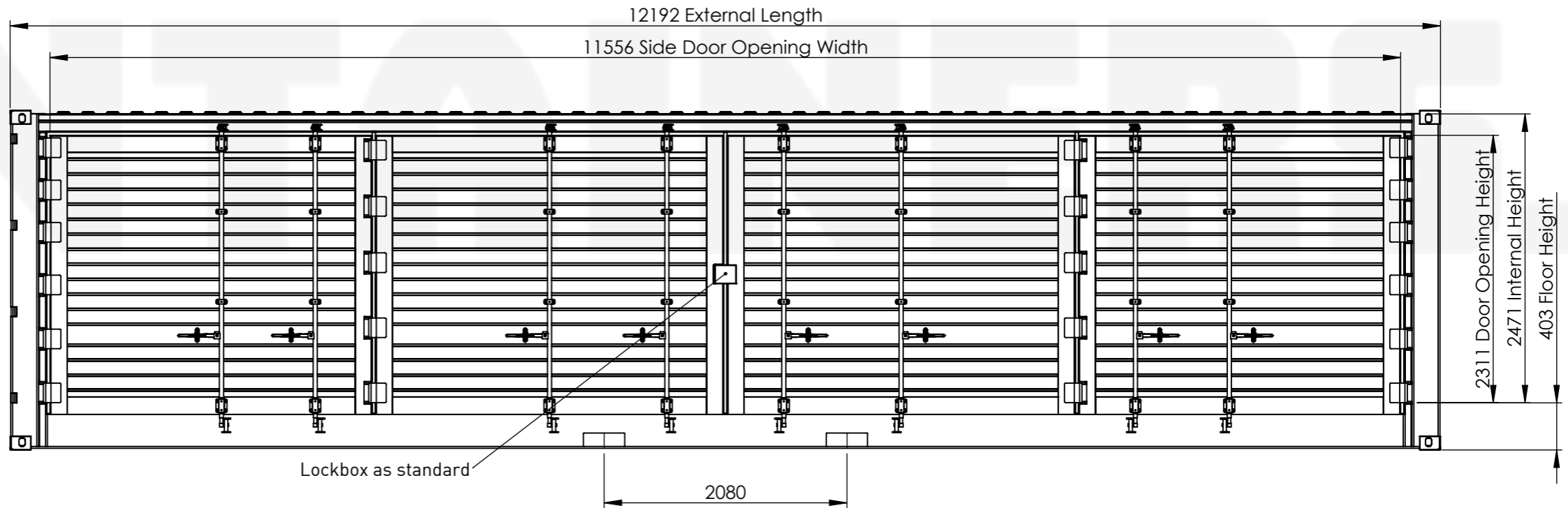
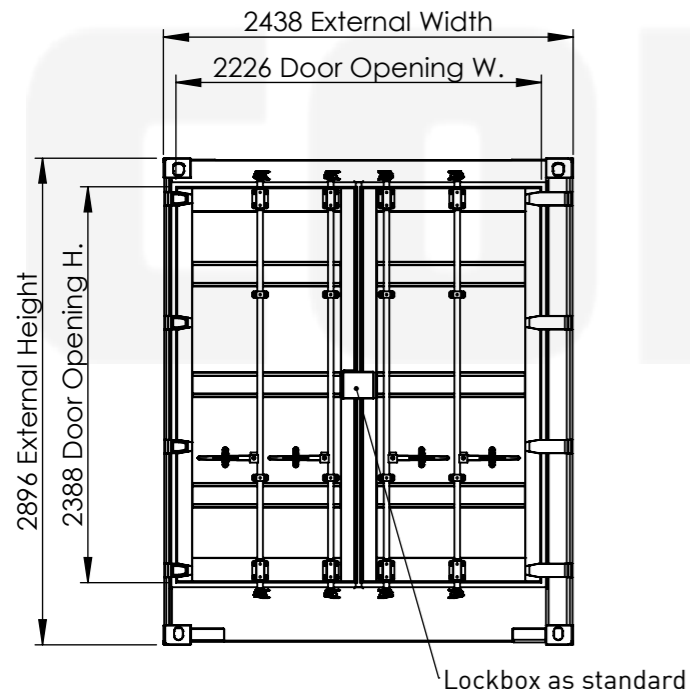
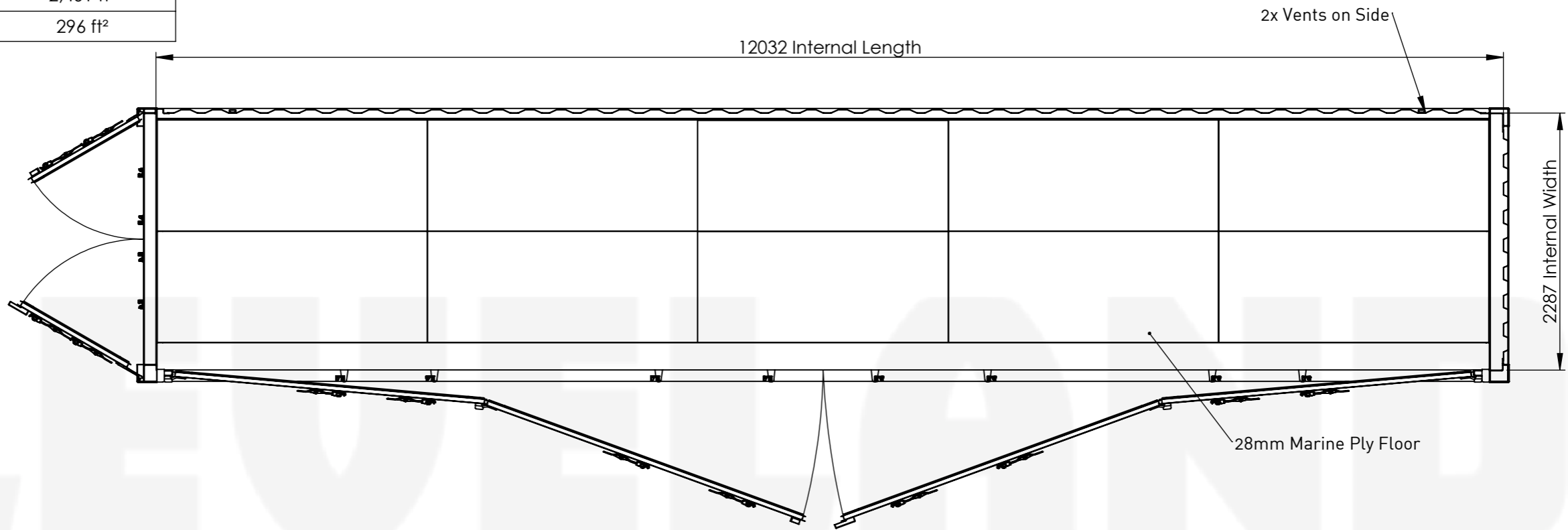


Max. Gross Weight	30,480 KG	67,200 LBS
Tare Weight	6,580 KG	14,510 LBS
Max. Payload	23,900 KG	52,690 LBS
Cubic Capacity	68.0 m ³	2,401 ft ³
Floor Area	27.5 m ²	296 ft ²



Preliminary Drawing for Information Only

REVISION:		DO NOT SCALE DRAWING	
PROJECT:		Cleveland Containers Standard Containers	
DESCRIPTION:		40' Side Opening Container High Cube	
		A3	
SCALE: 1:45 (UNLESS STATED OTHERWISE)		SHEET 1 OF 1	

CLEVELAND CONTAINERS			
NAME	SIGNATURE	DATE	
DRAWN JM		10/01/2019	
APPV'D			

© 2019 Cleveland Containers