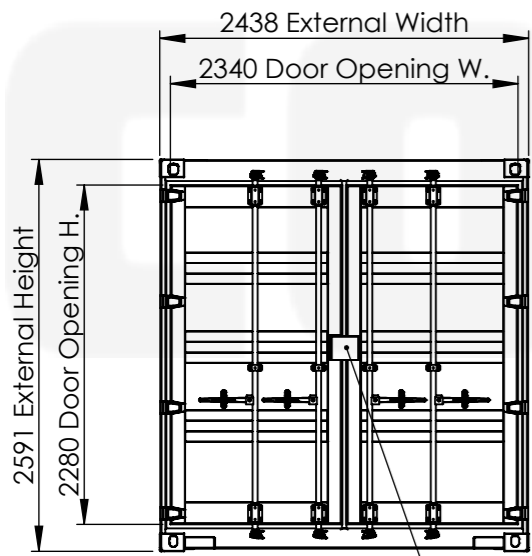
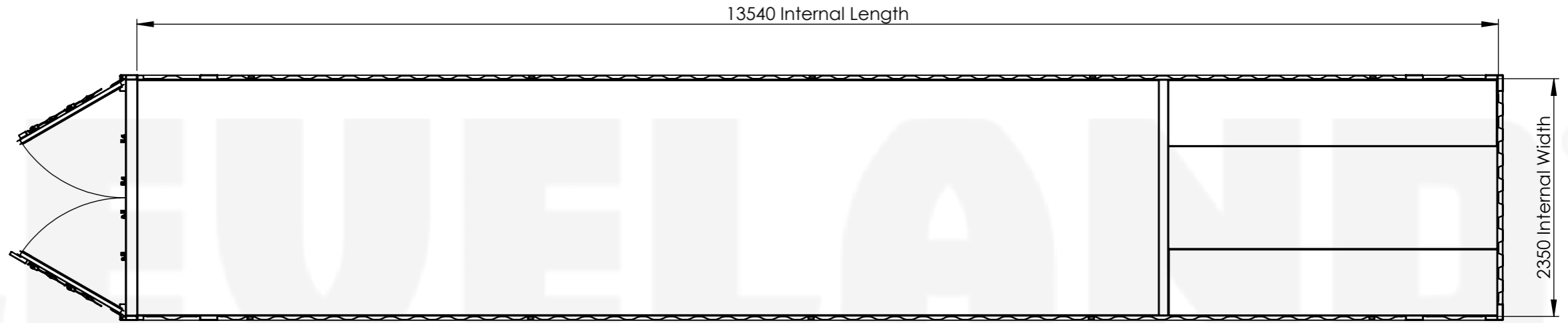
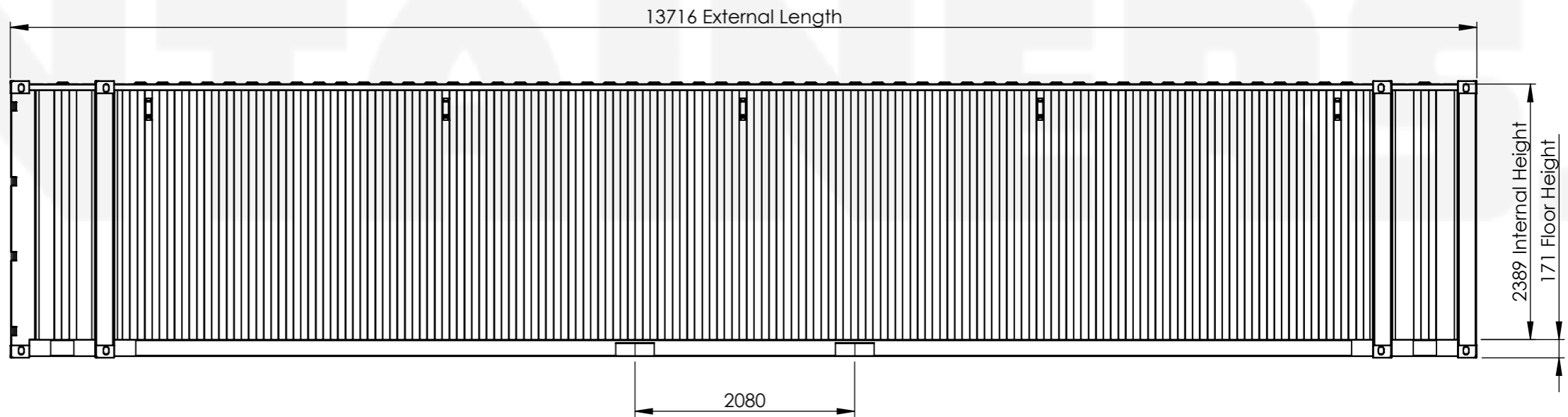


Max. Gross Weight	32,500 KG	71,650 LBS
Tare Weight	3,830 KG	8,444 LBS
Max. Payload	28,670 KG	63,207 LBS
Cubic Capacity	76 m <sup>3</sup>	2,683 ft <sup>3</sup>
Floor Area	31.8 m <sup>2</sup>	342 ft <sup>2</sup>



Lockbox standard on new containers



<b>CLEVELAND CONTAINERS.</b>				Preliminary Drawing for Information Only	
				REVISION:	DO NOT SCALE DRAWING
PROJECT:				Cleveland Containers Standard Containers	
DESCRIPTION:				45' Standard Container	
NAME	SIGNATURE	DATE	A3		
DRAWN	JM	10/01/2019			
APPV'D					
© 2019 Cleveland Containers				SCALE: 1:50 (UNLESS STATED OTHERWISE)	
				SHEET 1 OF 1	