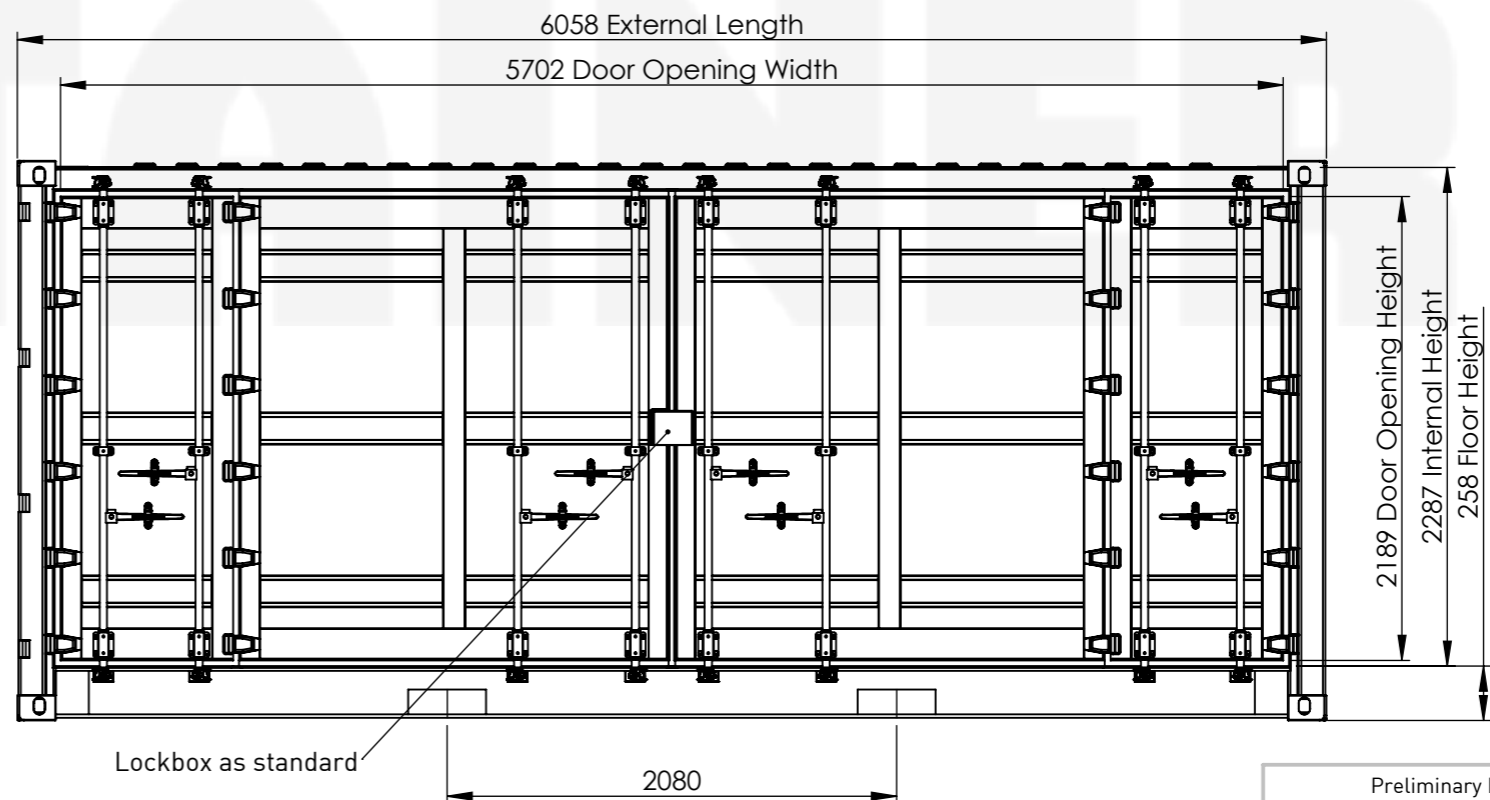
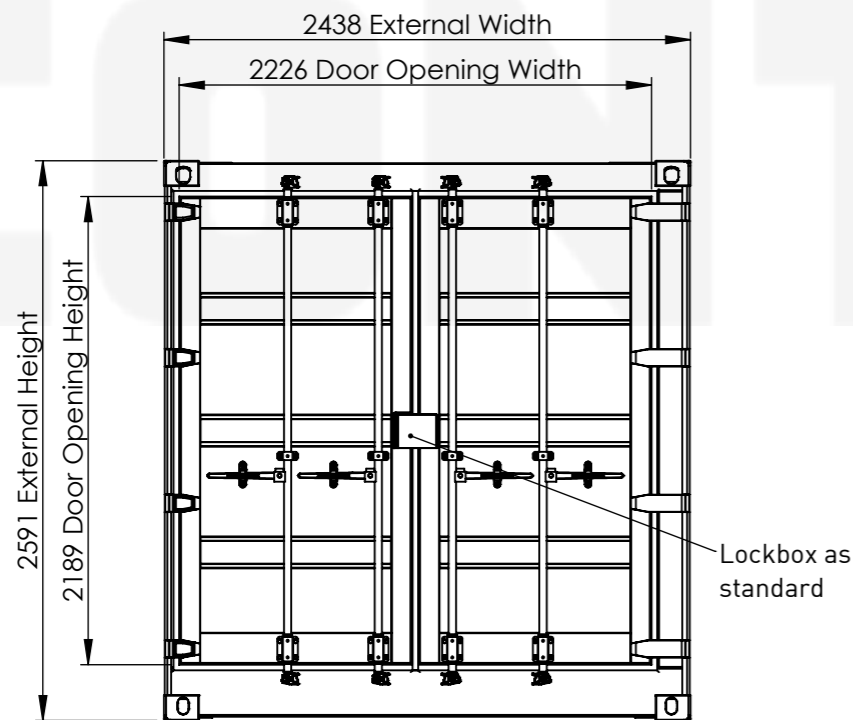
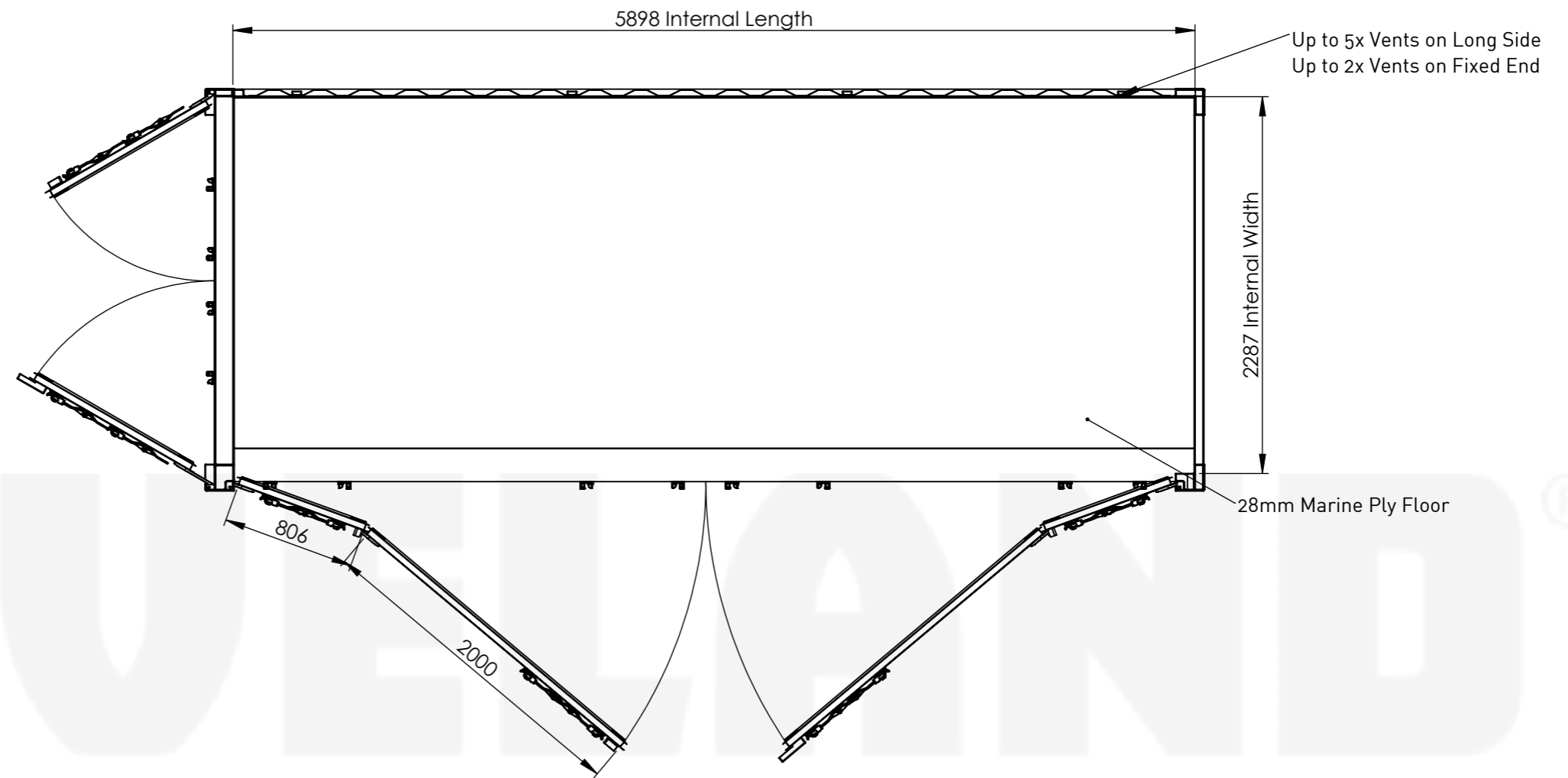


Max. Gross Weight	30,480 KG	67,200 LBS
Tare Weight	3,080 KG	6,790 LBS
Max. Payload	27,400 KG	60,410 LBS
Cubic Capacity	31.1 m ³	1,097 ft ³
Floor Area	13.5 m ²	145 ft ²



CLEVELAND CONTAINERS.

	NAME	SIGNATURE	DATE
DRAWN	JM		10/01/2019
APPV'D			

© 2019 Cleveland Containers

Preliminary Drawing for Information Only

REVISION: DO NOT SCALE DRAWING

PROJECT: Cleveland Containers
Standard Containers

DESCRIPTION: 20' Side Opening Container
Standard Height
70:30 Doors

A3

SCALE: 1:35 (UNLESS STATED OTHERWISE)

SHEET 1 OF 1