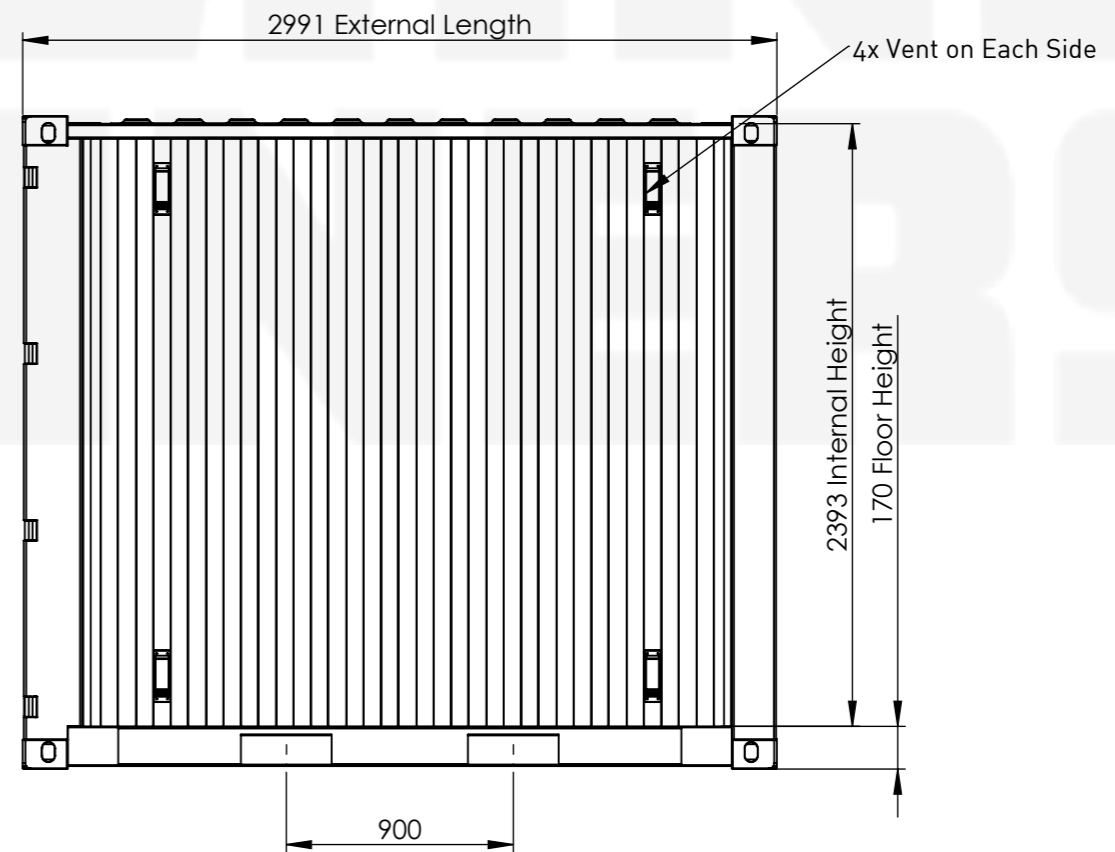
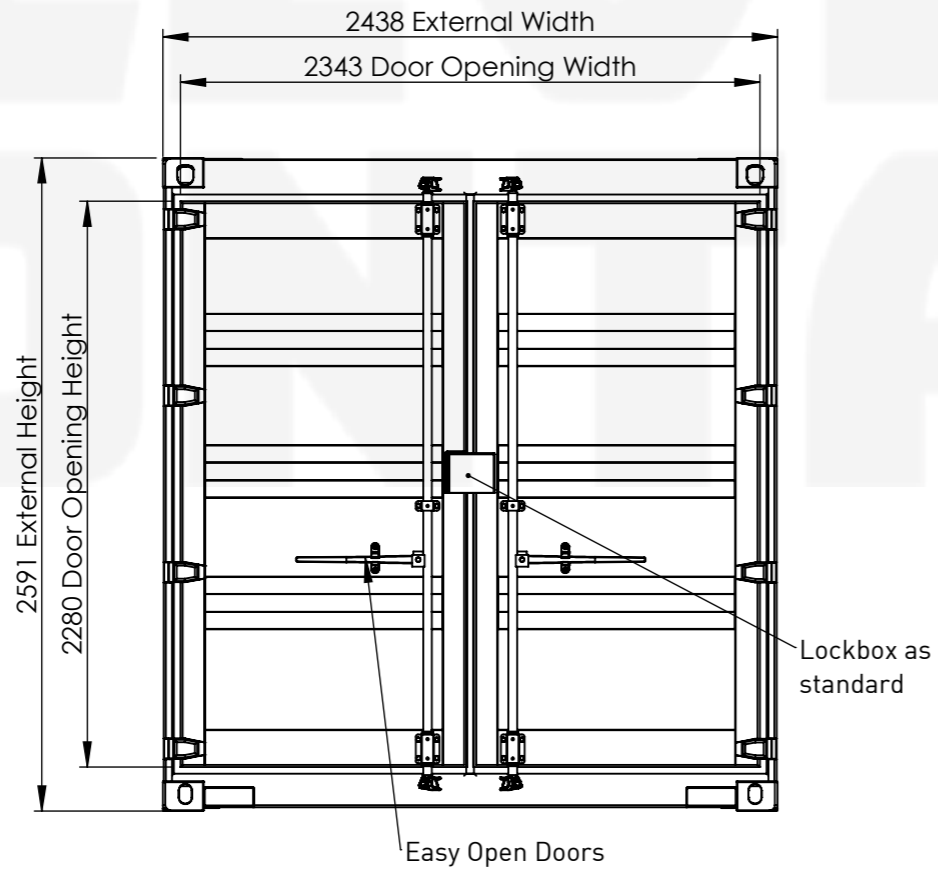
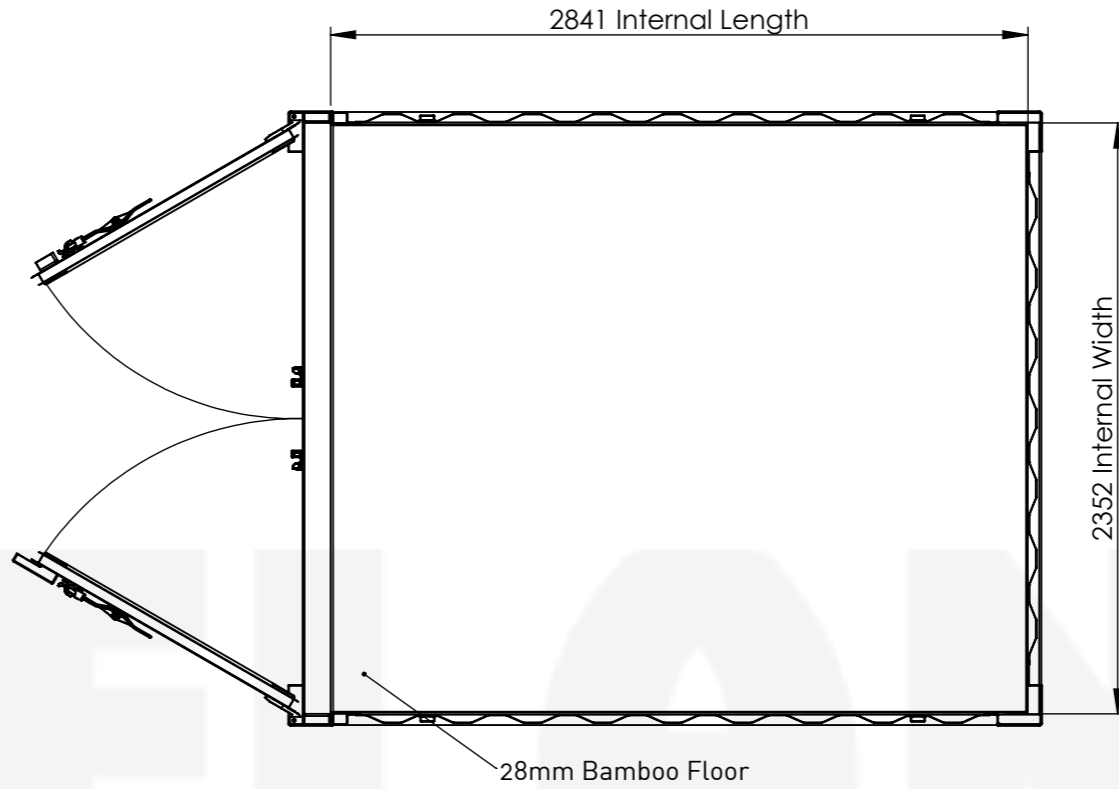


Max. Gross Weight	11,250 KG	24,800 LBS
Tare Weight	1,250 KG	2,755 LBS
Max. Payload	10,000 KG	22,045 LBS
Cubic Capacity	16.0 m <sup>3</sup>	564 ft <sup>3</sup>
Floor Area	6.7 m <sup>2</sup>	72 ft <sup>2</sup>



Preliminary Drawing for Information Only

REVISION:		DO NOT SCALE DRAWING
PROJECT: Cleveland Containers Standard Containers		
DESCRIPTION:		A3
10' Standard Container		

	NAME	SIGNATURE	DATE
DRAWN	JM		10/01/2019
APPV'D			

© 2019 Cleveland Containers      SCALE: 1:30 (UNLESS STATED OTHERWISE)      SHEET 1 OF 1